



为了您的需要，马波斯提供陶瓷和钢两种材料的测杆。

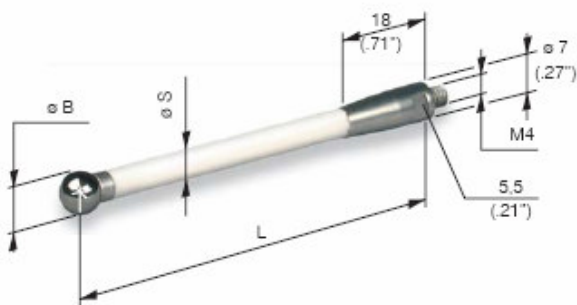
- 检测工件和刀具的测杆测针是硬质合金材料。
- 测杆身体部分是陶瓷或不锈钢材料。
- 测杆长度范围可选。
- 特殊测杆可以特殊订购。

选择测杆的原则：

- 1) 尽可能使用最短的测杆。
- 2) 当必须使用长的测杆时，最好选择陶瓷材料的测杆
- 3) 尽可能避免使用延长测杆。
- 4) 在您的使用中选择合适的测杆。

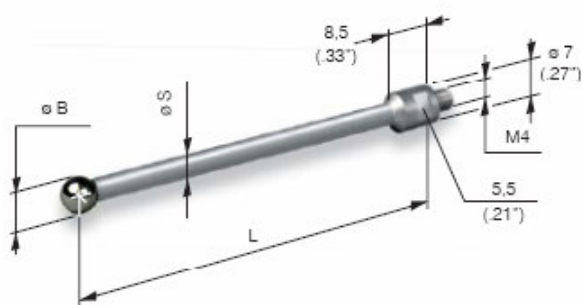
一、由陶瓷材料杆和硬质合金球组成的直测杆

L	B	S	CODE
mm (inch)	mm (inch)	mm (inch)	
35 (1.38)	6 (.23)	4 (.16)	3191910872
40 (1.57)	6 (.23)	4 (.16)	3191910873
45 (1.77)	6 (.23)	4 (.16)	3191910874
50 (1.97)	6 (.23)	4 (.16)	3191910875
70 (2.75)	7 (.27)	5 (.19)	3191910871
75 (2.95)	6 (.23)	4 (.16)	3191910870
100 (3.94)	6 (.23)	4 (.16)	3191910865
100 (3.94)	10 (.39)	4 (.16)	3191929210
125 (4.92)	7 (.27)	5 (.19)	3191929200
150 (5.90)	7 (.27)	5 (.19)	3191910860



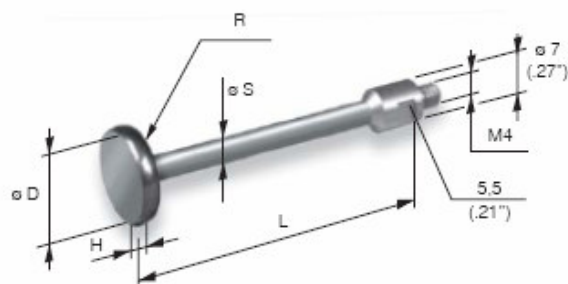
二、由钢材料杆和硬质合金球组成的直测杆

L	B	S	CODE
mm (inch)	mm (inch)	mm (inch)	
25 (.98)	6 (.23)	4 (.16)	3191910811
30 (1.18)	6 (.23)	4 (.16)	3191910804
35 (1.38)	6 (.23)	4 (.16)	3191910805
40 (1.57)	6 (.23)	4 (.16)	3191910810
50 (1.97)	6 (.23)	4 (.16)	3191910815
70 (2.75)	6 (.23)	4 (.16)	3191910825
75 (2.95)	6 (.23)	4 (.16)	3191910830
80 (3.14)	6 (.23)	4 (.16)	3191910835
100 (3.94)	6 (.23)	4 (.16)	3191910840
150 (5.90)	7 (.27)	5 (.19)	3191910845



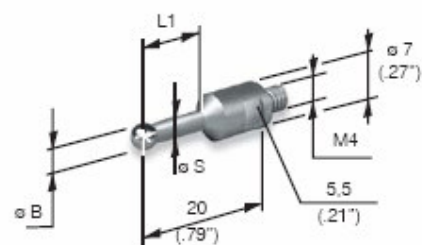
三、由钢材料杆和硬质合金圆盘组成的直测杆

L	D	S	H	R	CODE
mm (inch)	mm (inch)	mm (inch)	mm (inch)	mm (inch)	
8,5 (.33)	30 (1.18)	7 (.27)	3 (.11)	2 (.07)	3191927830
10,5 (.41)	14 (.55)	7 (.27)	4 (.15)	0	3191927863
21 (.82)	15 (.59)	4 (.15)	8 (.31)	0	3191927860
50 (1.97)	15 (.59)	4 (.15)	3 (.11)	2,5 (.09)	3191927827



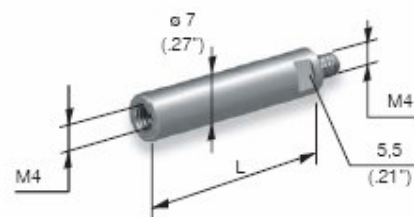
四、由钢材料杆和硬质合金球组成的 20mm 长的直测杆

B	S	L1	CODE
mm (inch)	mm (inch)	mm (inch)	
1 (.04)	0,75 (.03)	4 (.16)	3191910806
2 (.08)	1,50 (.06)	7 (.27)	3191910807
4 (.16)	3 (.12)	10 (.39)	3191910808
6 (.24)	4 (.16)	11,5 (.45)	3191910803
8 (.32)	6 (.23)	11,5 (.45)	3191910809



五、测杆延长杆

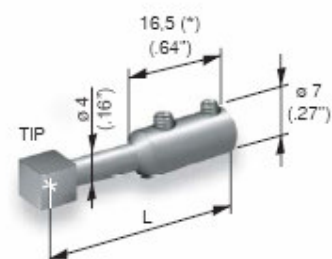
L	CODE
mm (inch)	
10 (.39) steel	1019108026
15 (.59) steel	1019108027
20 (.79) steel	1019108028
25 (.98) steel	1019108024
30 (1.18) steel	1019108029
30 (1.18) ceramic	2019108005
50 (1.97) steel	1019108025



六、由钢材料杆和硬质合金长方体组成的直测杆

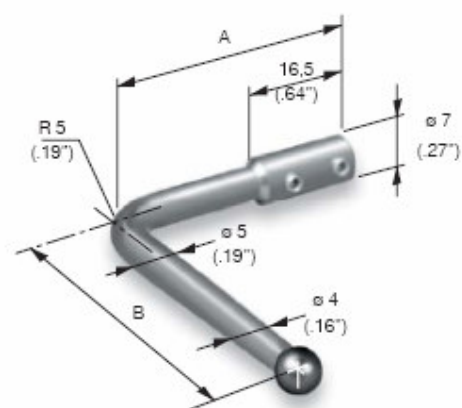
L mm (inch)	TIP mm (inch)	CODE	TO BE USED WITH CRASH PROTECTION PIN CODE
17 (.66)	10x10x4 (.39x.39x.16)	3191982502*	1019825075
17 (.66)	20x20x4 (.78x.78x.16)	3191927855*	1019825075
30,5 (1.20)	6x6x6 (.23x.23x.23)	3191910886	1015051100
35,5 (1.40)	6x6x6 (.23x.23x.23)	3191910887	1015051100
47,5 (1.87)	6x6x6 (.23x.23x.23)	3191910888	1015051100
60,5 (2.38)	6x6x6 (.23x.23x.23)	3191910889	1015051100
94,5 (3.72)	6x6x6 (.23x.23x.23)	3191910890	1015051100

(* 11,5 (.45") INSTEAD OF 16,5 (.64")



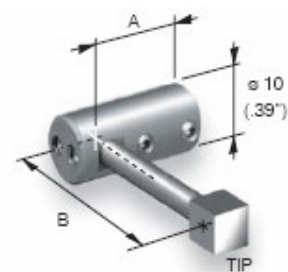
七、由钢材料杆和Φ6mm 硬质合金球组成的曲柄测杆

A mm (inch)	B mm (inch)	CODE	TO BE USED WITH CRASH PROTECTION PIN CODE
30 (1.18)	50 (1.97)	3191910876	1015051100
35 (1.38)	40 (1.57)	3191910877	1015051100
40 (1.57)	35 (1.38)	3191910878	1015051100
40 (1.57)	40 (1.57)	3191910879	1015051100
40 (1.579)	50 (1.97)	3191910880	1015051100
40 (1.57)	60 (2.36)	3191910881	1015051100
50 (1.97)	35 (1.38)	3191910882	1015051100
50 (1.97)	50 (1.97)	3191910883	1015051100
50 (1.97)	60 (2.36)	3191910884	1015051100
60 (2.36)	60 (2.36)	3191910885	1015051100



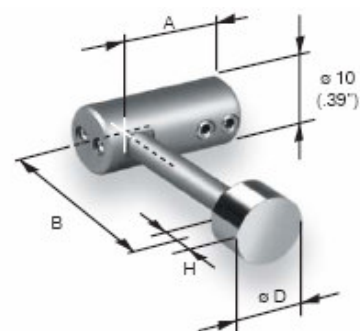
八、由钢材料杆和硬质合金长方体组成的曲柄测杆

A mm (inch)	B mm (inch)	TIP mm (inch)	CODE	TO BE USED WITH CRASH PROTECTION PIN CODE
17 (.66)	32 (1.25)	10x10x4 (.39x.39x.16)	3191982506	1019825075
16,5 (.64)	32 (1.25)	6x6x6 (.23x.23x.23)	3191982507	1015051100



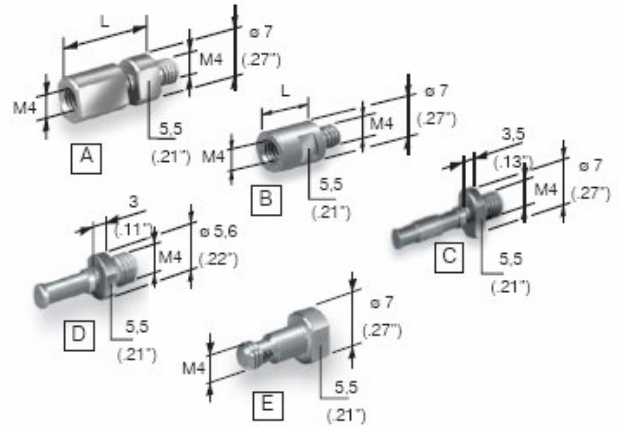
九、由钢材料杆和硬质合金圆盘组成的曲柄测杆

A mm (inch)	B mm (inch)	D mm (inch)	H mm (inch)	CODE	TO BE USED WITH CRASH PROTECTION PIN CODE
17 (.66)	32 (1.25)	15 (.59)	3 (.11)	3191982508	1019825075
17 (.66)	32 (1.25)	10 (.39)	6 (.23)	3191982510	1019825075



十、碰撞保护销

DESCRIPTION	Code
L= 15 mm (.59")	A 1019108005
L= 8 mm (.31")	B 1019108038
For grub screw stylus	C 1015051100
For tool checking with T18 probe	D 1019825075
Adapter screw	E 1019108004



十一、测杆固定器

DESCRIPTION	Code
Stylus retainer	1019108003



十二、测杆调节块

DESCRIPTION	Code	TO BE USED WITH ADAPTER SCREW
Offset adapter L=15 mm (.59")	F 1019278028	1019108004
Offset adapter L=21.9 mm (.86")	F 1019108036	1019108004
Offset adapter L=27.6 mm (1.08")	F 1019108037	1019108004
Offset adapter L=40 mm (1.57")	F 1019278006	1019108004
Swivel adapter L=10 mm (.39")	G 1019108001	1019108004
Swivel adapter L=13.5 mm (.53")	G 1019108002	1019108004
Cross holder adapter	H 2019108000	-
T-Stylus adapter	N 1019108048	-
Screw holder for T-Stylus adapter	O 1019108047	-

